

BLOOM™ WINCH

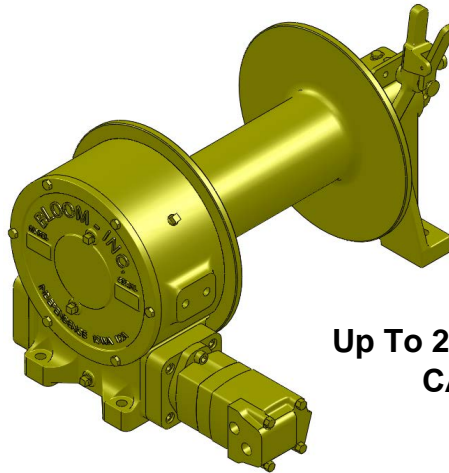


Series 1600C

*"Quality Since
1910"*

HYDRAULIC CABLE WINCHES

The rugged construction and versatility of **Series 1600C** makes it adaptable to a wide range of applications. **Series 1600C** winches are equipped with a sliding clutch to allow free-spooling of the drum for pulling and dragging applications such as trailers, mining, logging equipment and off road tractors. **Series 1600C** may be ordered galvanized.



Low Profile or
Base Mount
Available

**Up To 20,000 POUNDS
CAPACITY**

Bloom™ Hydraulic Cable Winches – Standard Features

- | | |
|-------------------|--|
| GEAR CASE | - Made of high strength cast iron. Completely sealed for oil enclosed operation and to keep dirt out. |
| WORM SHAFT | - One piece alloy steel hardened and ground for extra durability. Seal on worm allows brake to be removed without draining oil. |
| WORM GEAR | - High tensile aluminum-nickel alloy bronze cast on high strength ductile iron hub. Optimum lead and pressure angles transmit maximum power to the drum. |
| GEAR RATIO | - 25:1 standard & 12.5:1 optional ratios provide optimum efficiency in power and speed. |
| BEARINGS | - Worm gear and worm shaft run on tapered roller bearings. Outer end housing has a grease zerk for lubricating the bronze bushing. |
| DRUM SHAFT | - 2-1/4" diameter heat -treated alloy steel minimum tensile strength 150,000 psi. |
| CABLE DRUM | - Tough all steel construction resists breakage or warping. |
| CLUTCH | - Series 1600C winches comes equipped with heat-treated dog type clutch to provide free-spooling of the winch drum. Positive lock-in and lock-out. |

CAUTION:

This winch model does not include any kind of holding brake. If your application requires a holding brake choose series 1600KC winches with automatic hydraulic safety brakes.



www.bloommfg.com

BLOOM

Manufacturing Inc.

Winch Division

"Custom Engineered Solutions"

*Lifting
Pulling
Hoisting*

Toll Free Number: 1-800-394-1139

1443 220th Street,, Independence, Iowa 50644 • FAX: 319-827-1140 • PHONE: 319-827-1139

BLOOM™ WINCH

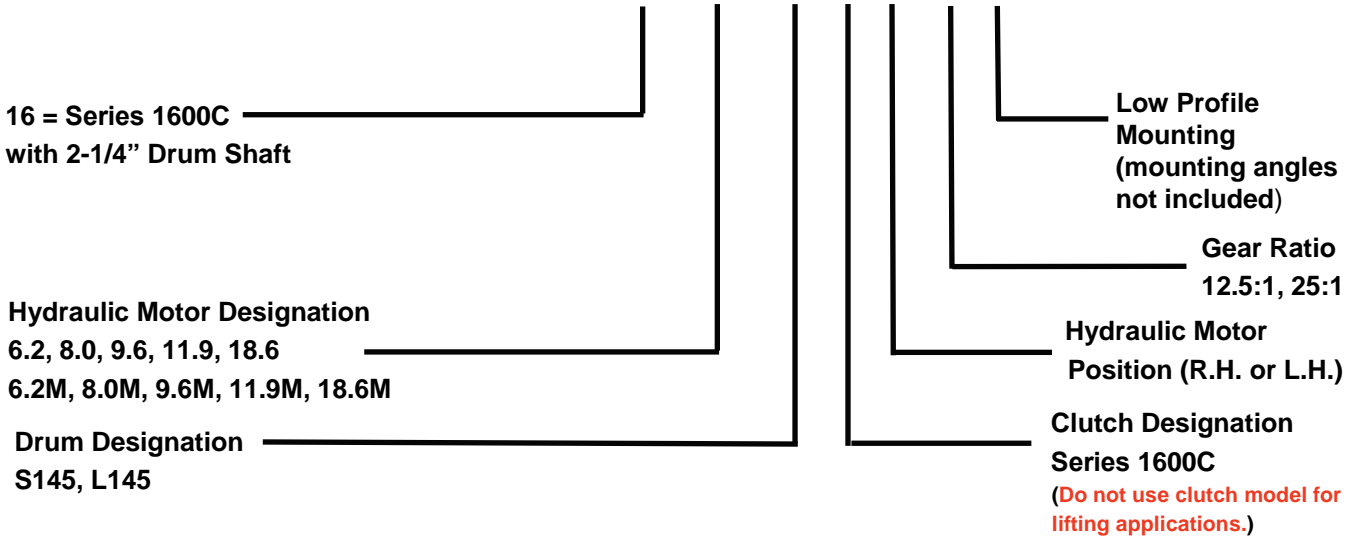


Series 1600C

Model Selection from Performance Data

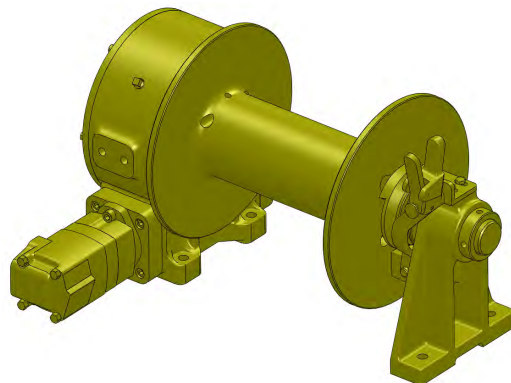
"Quality Since 1910"

MODEL EXAMPLE: 16-6.2M-L145-C-RH-25-LP



DRUM CAPACITY

CABLE DIAMETER (IN.)	5/16	3/8	7/16	1/2	9/16	5/8
DRUM "S145" CAPACITY (FT.)	674	465	305	234	170	126
DRUM "L145" CAPACITY (FT.)	1214	842	662	425	318	303



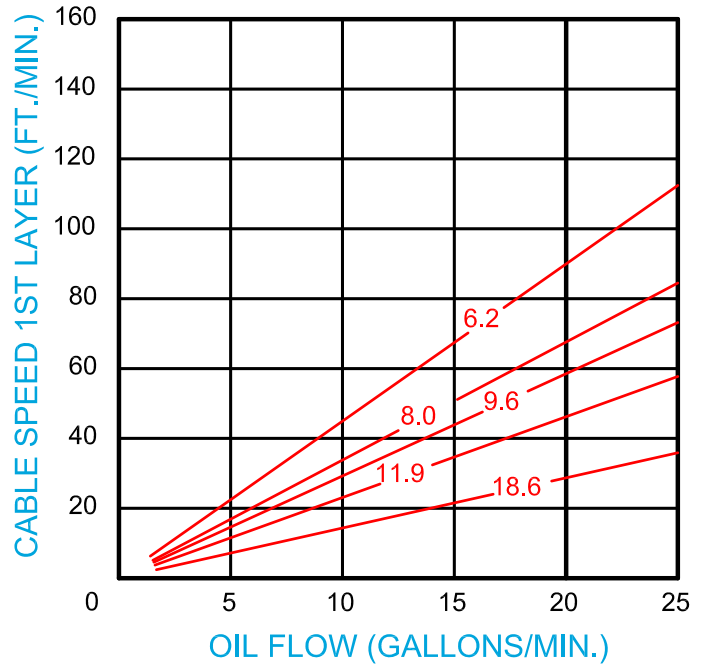
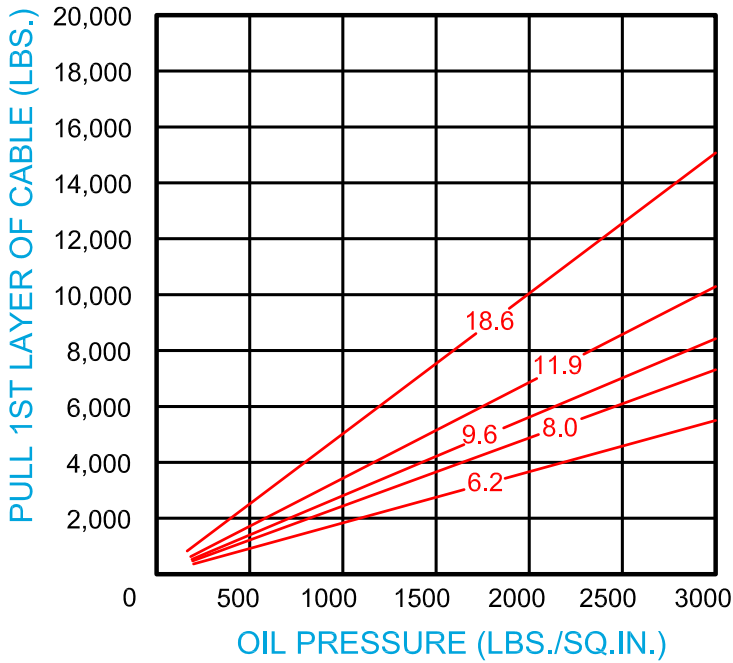
BLOOM™ WINCH



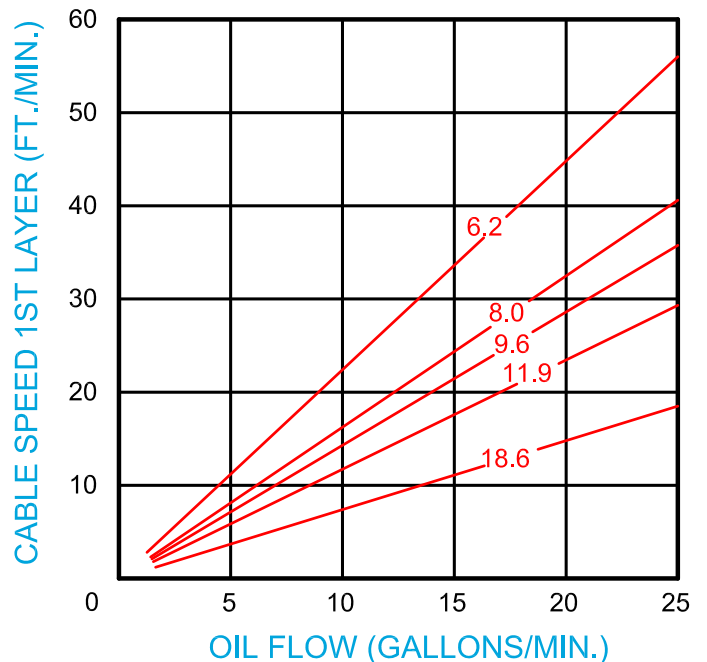
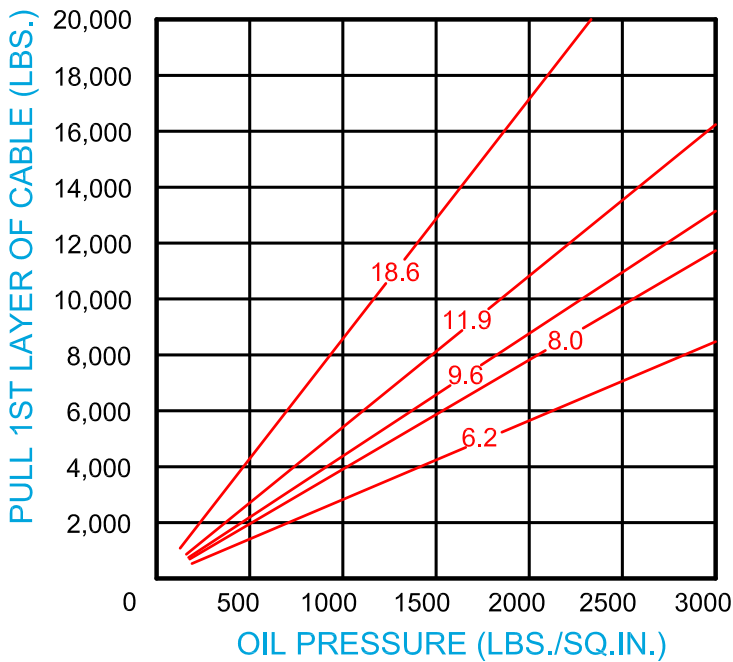
Series 1600C Model Selection from Performance Data

"Quality Since
1910"

12.5:1 RATIO (optional)



25:1 RATIO (standard)



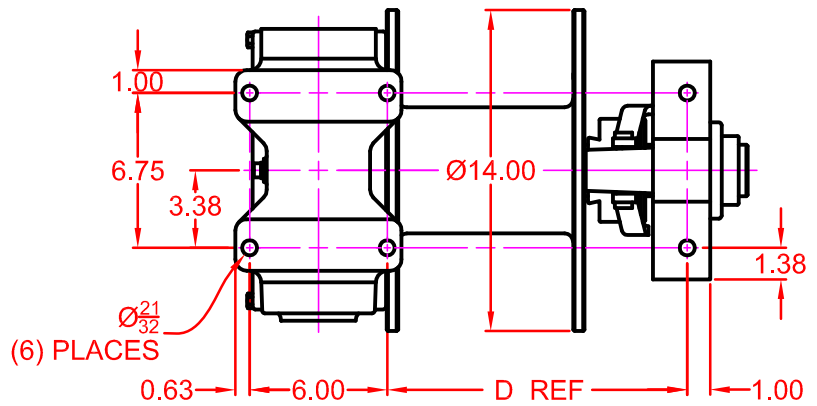
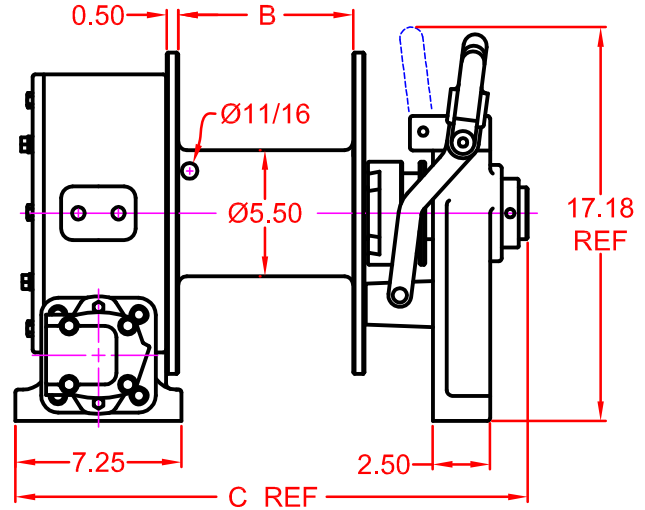
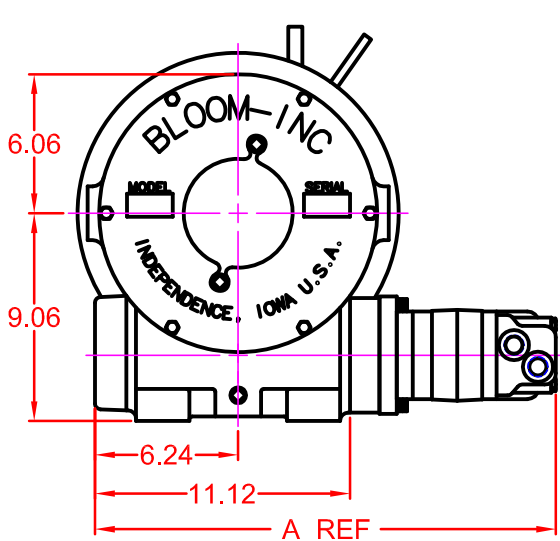


“Quality Since
1910”

BLOOM™ WINCH

Dimensional Drawings

Series 1600C K JH S145 and L145 Drum
Base Mount Model - Clutch Drive



MOTOR DESIGNATION	6.2	9.6	11.9	18.6
A DIMENSION	19.86	20.11	20.38	21.18

DRUM DESIGNATION	B	C	D
S145	7.63	22.35	13.08
L145	13.63	28.35	19.08

CABLE DIAMETER (IN.)	5/16	3/8	7/16	1/2	9/16	5/8
DRUM "S145" CAPACITY (FT.)	674	465	305	234	170	126
DRUM "L145" CAPACITY (FT.)	1214	842	662	425	318	303

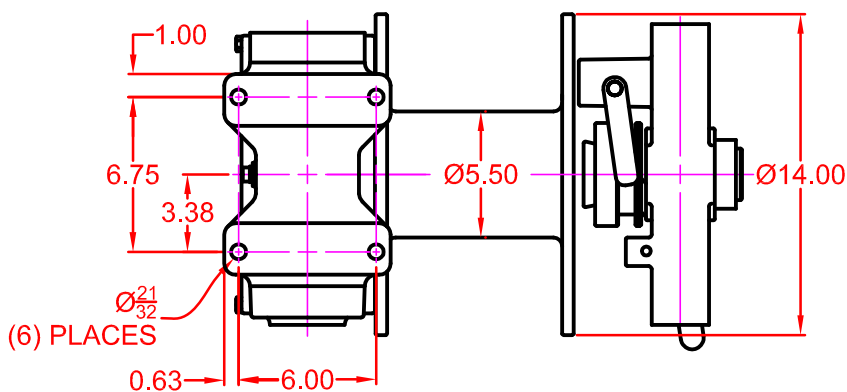
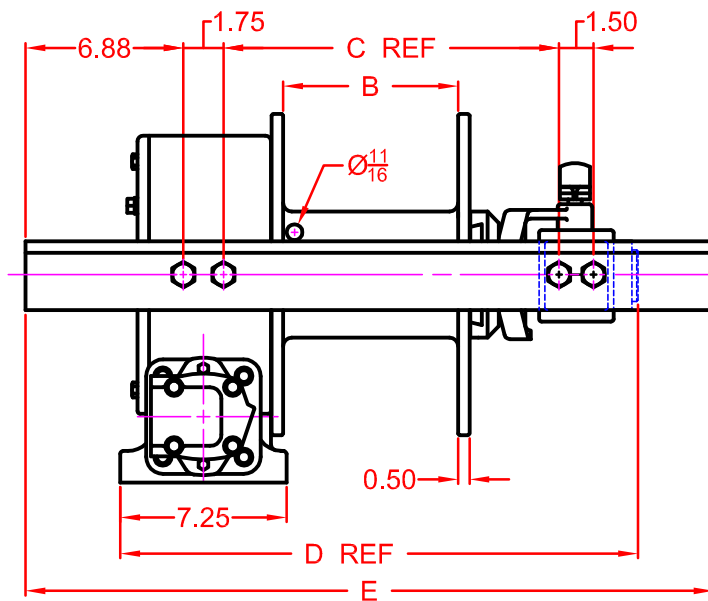
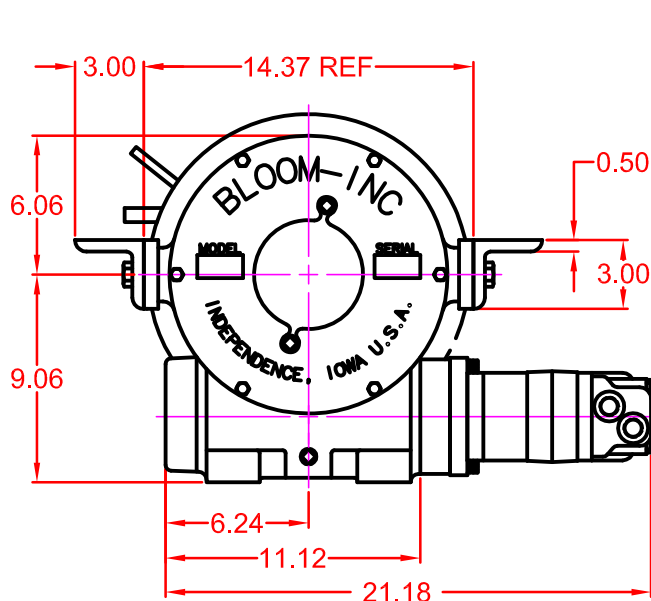


"Quality Since
1910"

BLOOM™ WINCH

Dimensional Drawings

Series 1600C K JH 'S145 and L145 Drum
Low Profile Model - Clutch Drive



MOTOR DESIGNATION	6.2	9.6	11.9	18.6
A DIMENSION	19.86	20.11	20.38	21.18

DRUM DESIGNATION	B	C	D	E
S14	7.63	14.64	22.58	30
L14	13.63	20.64	28.58	36

CABLE DIAMETER (IN.)	5/16	3/8	7/16	1/2	9/16	5/8
DRUM "S14" CAPACITY (FT.)	615	400	300	225	160	115
DRUM "L14" CAPACITY (FT.)	1100	712	517	409	295	200

BLOOM™ WINCH

1600C SERIES MODEL SELECTION

6.2 MOTOR

16-6.2-S145C

16-6.2-L145C

8.0 MOTOR

16-8.0-S145C

16-8.0-L145C

9.6 MOTOR

16-9.6-S145C

16-9.6-L145C

11.9 MOTOR

16-11.9-S145C

16-11.9-L145C

14.9 MOTOR

16-14.9-S145C

16-14.9-L145C

18.6 MOTOR

16-18.6-S145C

16-18.6-L145C

BLOOM™ WINCH

Correct choice of Directional Control Valves for Bloom Winches

Tandem Center Spool Valve – Work Ports are **blocked** in neutral position

Use on all winches that use motor only to hold load.

*Winches require ridged mounting plate.
See owner's manual for information about proper mounting plate thickness or call Bloom Sales Engineer at factory

WARNING!

Goods are not intended for use in the moving or lifting of persons!

The winches described herein are neither designed nor intended for use or application to equipment used in the lifting or moving of persons and it is understood that all such use shall be at the sole risk of the user.

The cable clamps on winches are not designed to hold rated loads. A minimum of 5 wraps of cable must be left on drum barrel to guarantee holding of rated load.

Applications of winch where life would be endangered by any event are not recommended.



BLOOM Manufacturing Inc. **Winch Division**

1443 220th Street,, Independence, Iowa 50644

FAX 319-827-1140 PHONE 319-827-1139

www.bloommfg.com

©Copyright 2015 Bloom Mfg. Inc.